

## GPK04 Push Knob

### Features

- Knob can be pushed in when not in use
- Flushed to door / panel surface
- Suitable for door thicknesses 15 ~ 35 mm with provided cap, and 29 ~ 39 mm with additional cap **GPK04VB** (sold separately)

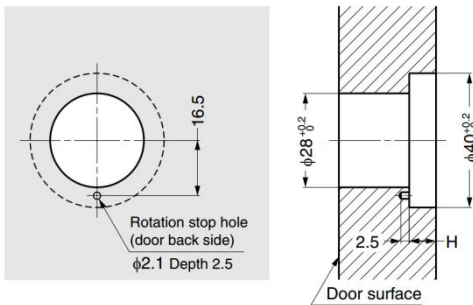
### Notes

- When processing the mounting holes on wooden door, clear wood scraps before installation
- When installing knob body and supplied screws, do not tighten with excessive force, recommended tightening torque is 4kgf.cm
- Bracket for sheet metal not included

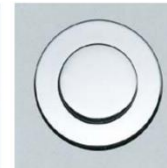
### Parts Included

- Truss head screw M3 x 20

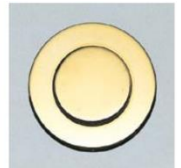
### Cut Out Dimensions



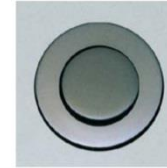
**GPK04VB**  
(sold separately)



CR



GA

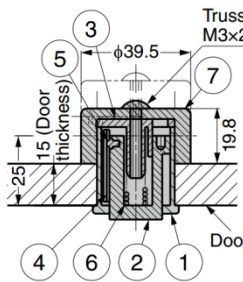


BN

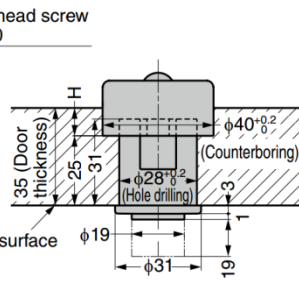


DN

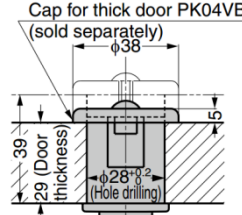
### Door Thickness 15 ~ 25



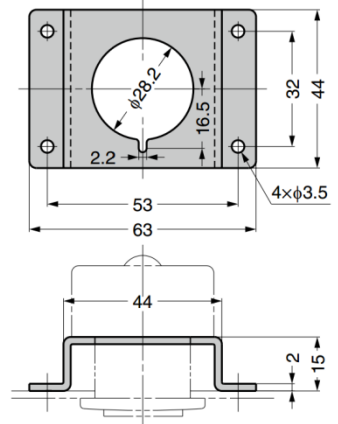
### Door Thickness 26 ~ 35



### Door Thickness 29 ~ 39



### Bracket for Sheet Metal



### Latch

Part No.	Finish	Door Thickness	Bore Depth H
<b>GPK04GA</b>	Gold	15 ~ 35	DT 15 ~ 25: None (ø28 Hole)
<b>GPK04CR</b>	Chrome		
<b>GPK04BN</b>	Black Nickel		DT 26 ~ 35: H = DT - 25
<b>GPK04DN</b>	Nickel		

No.	Part Name	Material	Finish / Colour
①	Body	ABS	See Below
②	Knob	Zinc Alloy (ZDC)	
③	Cover		Coloured Zinc Chromate
④	Guide Plate		
⑤	Rotor	Stainless Steel	Plain
⑥	Spring	ABS	Black
⑦	Cap	Stainless Steel	-

### Cap - For Thick Doors

Part No.	Door Thickness	Bore Depth H	Material	Finish
<b>GPK04VB</b>	29 ~ 39	None (ø28 Hole)	Stainless Steel 430	Plain